

## Stainless Steel-Hand knobs

Material no. AISI 316 (A4)

### SPECIFICATION

#### Types

- Type **D**: with threaded through bore
- Type **E**: with threaded blind bore

Stainless Steel precision casting **A4**

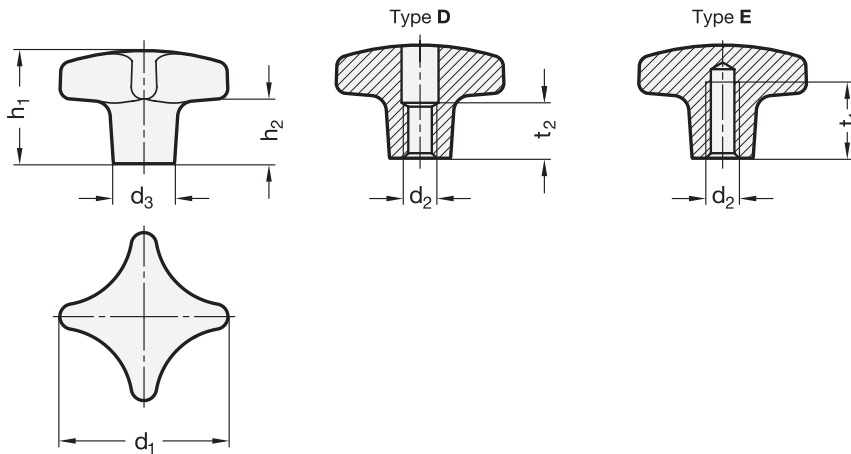
- AISI 316
- polished **PL**

### INFORMATION

Stainless Steel-Hand knobs GN 6335 satisfy the dimensions of the DIN 6335 but differ in terms of their non-scooping geometry, which makes cleaning easier and helps prevent possible build-up of dirt. They are suitable for areas with special hygiene requirements and, thanks to the material used, for applications in highly corrosive environments.

### TECHNICAL INFORMATION

- Stainless Steel characteristics (see page A26)



### GN 6335

**STAINLESS STEEL**

| Description            | d1 | d2   | d3 | h1 | h2 | t1 min. | t2 | ⚖   |
|------------------------|----|------|----|----|----|---------|----|-----|
| GN 6335-A4-32-M6-D-PL  | 32 | M 6  | 12 | 20 | 9  | -       | 10 | 36  |
| GN 6335-A4-40-M8-D-PL  | 40 | M 8  | 14 | 25 | 13 | -       | 13 | 57  |
| GN 6335-A4-50-M10-D-PL | 50 | M 10 | 18 | 32 | 18 | -       | 16 | 109 |
| GN 6335-A4-63-M12-D-PL | 63 | M 12 | 20 | 40 | 23 | -       | 20 | 194 |
| GN 6335-A4-32-M6-E-PL  | 32 | M 6  | 12 | 20 | 9  | 12      | -  | 39  |
| GN 6335-A4-40-M8-E-PL  | 40 | M 8  | 14 | 25 | 13 | 15      | -  | 59  |
| GN 6335-A4-50-M10-E-PL | 50 | M 10 | 18 | 32 | 18 | 18      | -  | 114 |
| GN 6335-A4-63-M12-E-PL | 63 | M 12 | 20 | 40 | 23 | 22      | -  | 207 |